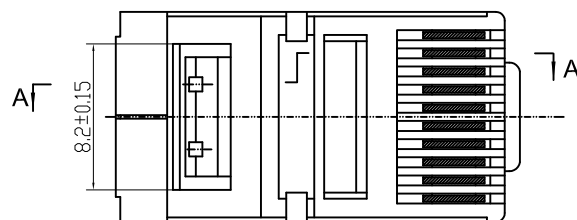
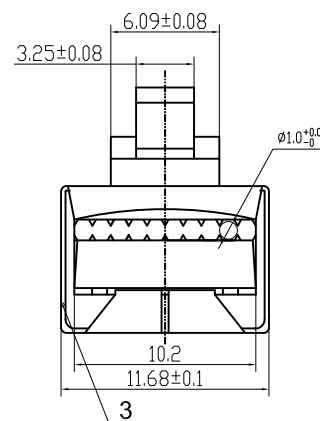
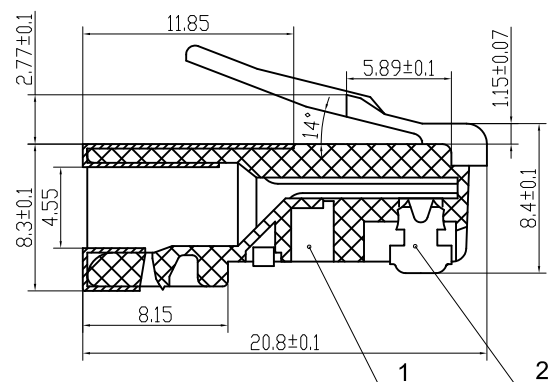
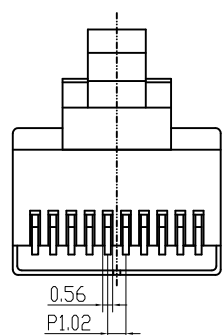


REV.	ECN NO.	DATE
1.00	N/A	2009.08.11

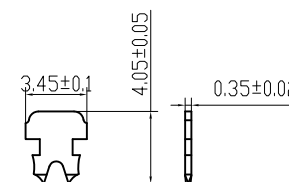
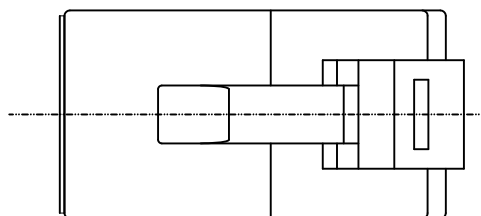


SECTION A-A



NOTES

1. Housing Polycarbonate(PC), UL 94V-0 or UL94V-2.
2. Terminal Brass, selective gold plating over nickel
Gold plating: G/F inch, 3u inch, 6u inch, 15u,inch, 30u inch, 50u inch.
3. Shielding: 0.25mm Thickness copper alloy with tin plated.
4. Insulation Resistance: 1000 Megohms min.
5. Withstand Voltage: 1000V, AC/minute.
6. Durability: 1000mating circles min.



Blade for stranded wire

RoHS Compliant

库乐科技

FIRST ANGLE PROJECTION	A4 SIZE	SCALE	UNIT	CUSTOMER:	TOLERANCES 0~15: ±0.15 15~30: ±0.20 30~ : ±0.25 ANGLES: ±1°	MATERIAL:	Designed: Michael	NAME: PLUG 10P10C-R-S
		1:1	mm	MODEL NO:		FINISH:	Checked:	DWG NO: CL-0039
						SHEET 1 OF 1	Approved:	PART NO: SEE TABLE